

# SETUP SHEET

Track:

Driver: \_\_\_\_\_

- |  |                                 |                                      |
|--|---------------------------------|--------------------------------------|
| <input type="checkbox"/> Indoor                                | <input type="checkbox"/> Smooth | <input type="checkbox"/> Slippery    |
| <input type="checkbox"/> Outdoor                               | <input type="checkbox"/> Rough  | <input type="checkbox"/> High-Bite   |
| <input type="checkbox"/> Tight / <input type="checkbox"/> Open |                                 | <input type="checkbox"/> Blue-Groove |

Date: \_\_\_\_\_

## XXX-SCT

### FRONT SUSPENSION *(Circle or Check the Appropriate Settings)*

In \_\_\_\_\_ °  
Toe  Out \_\_\_\_\_ °

Ride Height \_\_\_\_\_

Camber  - \_\_\_\_\_ °  
 + \_\_\_\_\_ °

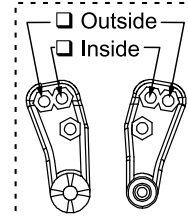
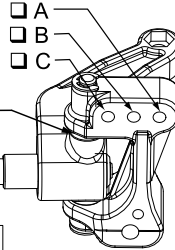
Caster  Stock \_\_\_\_\_ °  
 Other \_\_\_\_\_ °

Sway Bar  No  
 Yes size: \_\_\_\_\_

# of washers under steering / tie-rod ball studs  
Spindle ball stud: \_\_\_\_\_  
Bellcrank ball stud: \_\_\_\_\_

#### Spindle Location

- Top  
 Middle  
 Bottom

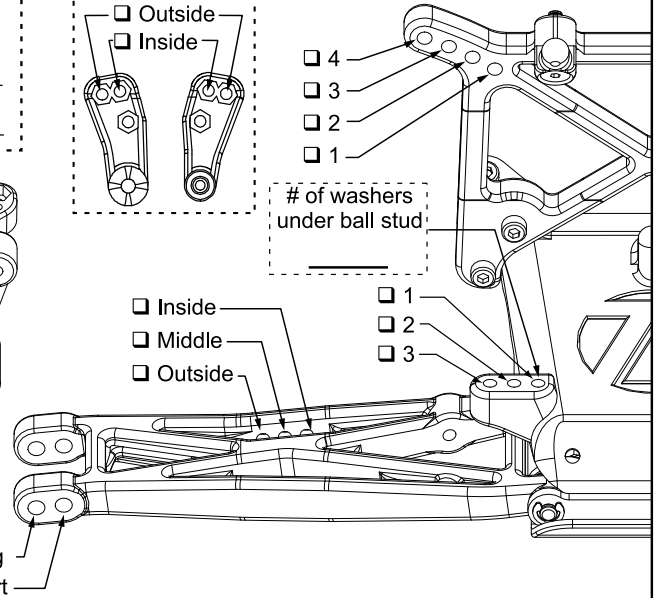


- 4  
 3  
 2  
 1

# of washers under ball stud: \_\_\_\_\_

- Inside  
 Middle  
 Outside

- 1  
 2  
 3



#### Front Shocks

Oil: \_\_\_\_\_

Piston: \_\_\_\_\_  Standard /  Drilled

Spring: \_\_\_\_\_ Internal:  Yes /  No

Limiters:  Inside- \_\_\_\_\_  Outside- \_\_\_\_\_

### REAR SUSPENSION

Toe-In  Inside \_\_\_\_\_ °  
 Outside \_\_\_\_\_ °

Pivot Support \_\_\_\_\_  No Shim  
 Shim Under Front  
 Shim Under Rear } # of shims: \_\_\_\_\_

Ride Height \_\_\_\_\_

Camber  - \_\_\_\_\_ °  
 + \_\_\_\_\_ °

Drive Shafts  Dogbones  Aluminum  
 CVDs  Steel

Rear Hub Spacing  Forward  
 Center  
 Rear

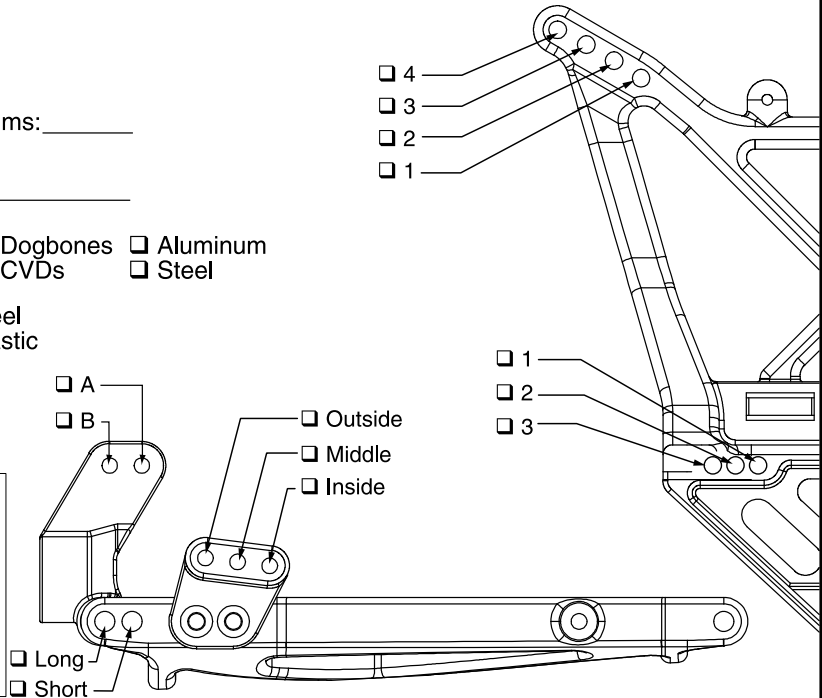
Outdrives  Steel  
 Plastic

Sway Bar  No  
 Yes size \_\_\_\_\_

- A  
 B

- Outside  
 Middle  
 Inside

- 1  
 2  
 3



#### Rear Shocks

Oil: \_\_\_\_\_

Piston: \_\_\_\_\_  Standard /  Drilled

Spring: \_\_\_\_\_

Limiters:  Inside- \_\_\_\_\_  Outside- \_\_\_\_\_

#### Tires

Front: \_\_\_\_\_

Rear: \_\_\_\_\_

Compound

Foam

Motor: \_\_\_\_\_ Pinion/Spur: \_\_\_\_ / \_\_\_\_

Battery Position: \_\_\_\_\_

#### Weather Conditions/Notes: