



SETUP SHEET

Track: 2003 Euro's Track in Austria

Driver: Hubert Honigl

Date: EC-Warmup

- Indoor
- Outdoor
- Tight / Open

- Carpet
- Concrete
- Asphalt
- Sealed
- Smooth
- Rough

FRONT SUSPENSION (Circle or Check the Appropriate Settings)

In
Toe Out 0

Ride Height 5mm

Camber -
 + 1.5

Caster:
 Kickup 0
 Antidive _____
 Carrier 2

Sway Bar No
 Yes size _____

Droop Height: 2.5

Pivot Support: 2F

Arm Spacing Front Drive:
 FWD Diff
 MDL One-Way
 BACK Spool

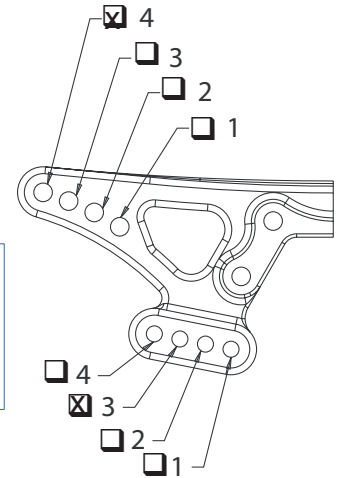
Ackerman Position
 Forward
 Back

Camber Ball Stud:
 (Chrome)
 (Black)

Pulley
 Standard 42F 42R
 Overdrive 41F 42R
 Underdrive 42F 41R

of washers under steering/
tie-rod ball studs
Spindle ball stud: 1mm
Bellcrank ball stud: 0

and size of washers
under camber ball stud 1



RollCenter:
 High Low
 Other GP+ Stock Low

Front Shocks
Oil: 50 Shock Length: 61mm
Piston: 56 Standard / Drilled
Spring: 1.15" Silver
Limiters: Inside 1mm Outside _____

NOTES: _____

REAR SUSPENSION

In
Toe Out 1.5

Ride Height 5.5mm

Camber -
 + 1

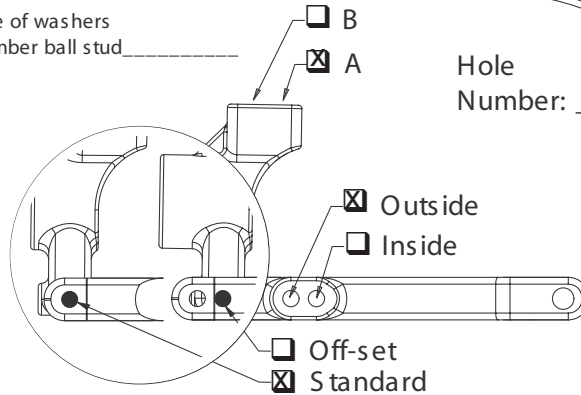
Sway Bar No
 Yes size _____

Droop Height: 4
Pivot Support: 0R

and size of washers
under camber ball stud _____

Arm Spacing
 FWD
 MDL
 BACK

Camber Ball Stud:
 (Chrome)
 (Black)



Hole Number: 1

RollCenter:
 High Low
 Other GP+ Stock Low

Rear Shocks
Oil: 30 Shock Length: 66mm
Piston: 56 Standard / Drilled
Spring: 1" Silver
Limiters: Inside 0 Outside 0

NOTES: _____

Tires: _____ Compound _____ Insert _____ Wheel _____ Tire Dia. _____ Vehicle Weight _____
Front: CS-27 _____ Echo Pink PL Velocity 24mm
Rear: CS-27 Echo Pink PL Velocity 24mm 1530

Battery Placement: Back Forward Split: #Fwd _____ #Back _____ Tire Additive: LRP Asphalt

Transponder Position: Right in front of batteries

Notes: 2nd Overall

Motor: LRP 12x1
Pinion: 38
Spur: 108
Body: PF Stratus
Body Height: 118
Wing: Stock