



SETUP SHEET

Track: RC Speedway North Carolina

Driver: Greg Hodapp

Date: 6/29/03

| | | |
|---|---|--|
| <input type="checkbox"/> Indoor | <input type="checkbox"/> Carpet | <input type="checkbox"/> Sealed |
| <input checked="" type="checkbox"/> Outdoor | <input type="checkbox"/> Concrete | <input checked="" type="checkbox"/> Smooth |
| <input type="checkbox"/> Tight / <input checked="" type="checkbox"/> Open | <input checked="" type="checkbox"/> Asphalt | <input type="checkbox"/> Rough |

FRONT SUSPENSION (Circle or Check the Appropriate Settings)

In
Toe Out 1

Ride Height 4.5mm

Camber -
 + 1

Caster:
 Kickup 0
 Antidive _____
 Carrier 4

Sway Bar No
 Yes size _____

Droop Height: 3mm

Pivot Support: 2F

Arm Spacing Front Drive:
 FWD Diff
 MDL One-Way
 BACK Spool

Ackerman Position
 Forward (flipped)
 Back

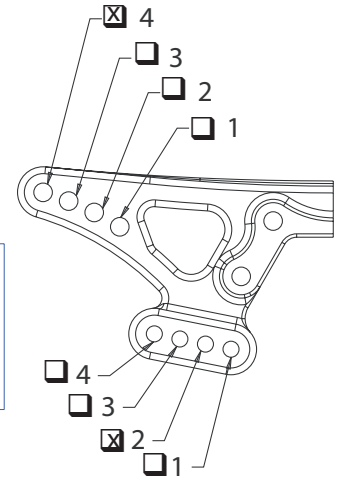
Pulley
 Standard 42F 42R
 Overdrive 41F 42R
 Underdrive 42F 41R

of washers under steering/tie-rod ball studs

Spindle ball stud: .060

Bellcrank ball stud: 0

and size of washers under camber ball stud 0



Roll Center:
 High Low
 Other _____

Front Shocks
Oil: 70 Shock Length: _____
Piston: 56 Standard / Drilled
Spring: Purple
Limiters: Inside 0 Outside 0

NOTES: Used Team Losi standard width hexes on front and rear.

REAR SUSPENSION

In
Toe Out 2.5

Ride Height 5mm

Camber -
 + 1

Sway Bar No
 Yes size _____

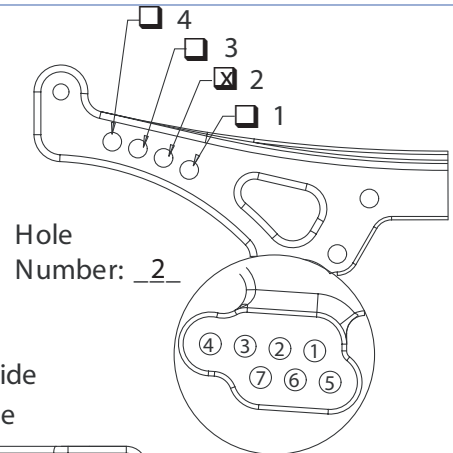
Droop Height: 4mm

Pivot Support: 2R

and size of washers under camber ball stud 0

Arm Spacing
 FWD
 MDL
 BACK

Camber Ball Stud:
 (Chrome)
 (Black)



Hole Number: 2

Roll Center:
 High Low
 Other _____

Rear Shocks
Oil: 40 Shock Length: _____
Piston: 56 Standard / Drilled
Spring: Purple
Limiters: Inside 0 Outside 0

NOTES: Used steel outrives. Used Team Losi brown grease on outrive and dogbone pin on the front and rear.

Tires:

| | Compound | Insert | Wheel | Tire Dia. | Vehicle Weight |
|--------|----------------------------------|--------|-------|-----------|----------------|
| Front: | <u>Handout tire-Takeoff CS27</u> | | | | |
| Rear: | <u>Handout tire-Takeoff CS27</u> | | | | <u>1528g</u> |

Battery Placement: Back Forward Split: #Fwd _____ #Back _____ Tire Additive: none

Transponder Position: Personal Transponder mounted on top of servo

Notes: _____

Motor: Peak 10x1

Pinion: 31

Spur: 128

Body: TL Alfa

Body Height: 115mm

Wing: Type B