



# Setup Sheet

Driver: \_\_\_\_\_

Date: \_\_\_\_\_

Track: \_\_\_\_\_

<input type="checkbox"/> Indoor	<input type="checkbox"/> Smooth	<input type="checkbox"/> Slippery
<input type="checkbox"/> Outdoor	<input type="checkbox"/> Rough	<input type="checkbox"/> High-Bite
<input type="checkbox"/> Tight / <input type="checkbox"/> Open		<input type="checkbox"/> Blue-Groove

## FRONT SUSPENSION *(Circle or Check the Appropriate Settings)*

Toe  In \_\_\_\_\_ °  
 Out \_\_\_\_\_ °

Ride Height \_\_\_\_\_

Camber  - \_\_\_\_\_ °  
 + \_\_\_\_\_ °

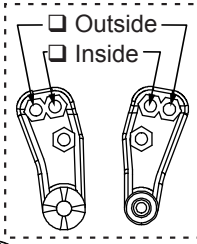
Caster  Stock \_\_\_\_\_ °  
 Other \_\_\_\_\_ °

Sway Bar  No  
 Yes size: \_\_\_\_\_

# of washers under steering/tie-rod ball studs  
 Spindle ball stud: \_\_\_\_\_  
 Bellcrank ball stud: \_\_\_\_\_

Spindle Location  A  
 B

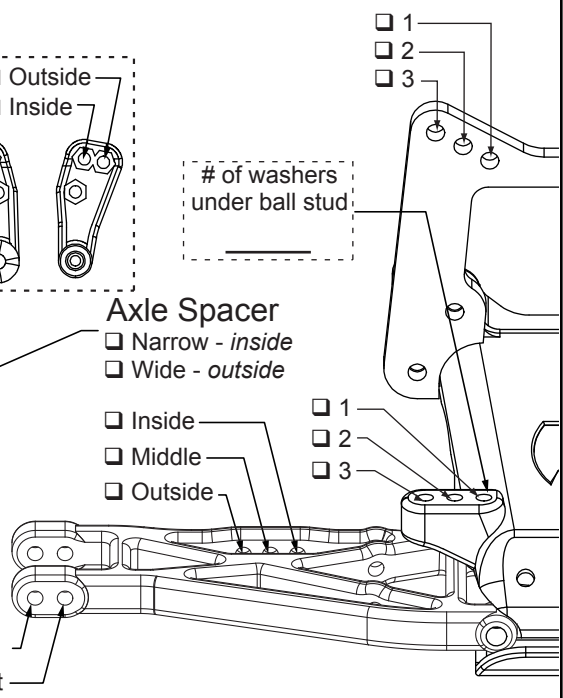
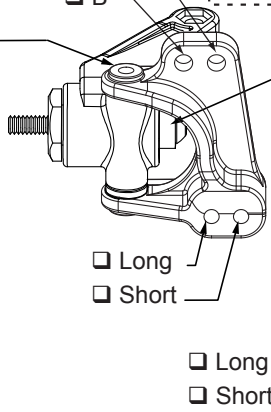
Top  
 Middle  
 Bottom



# of washers under ball stud: \_\_\_\_\_

Axle Spacer  
 Narrow - inside  
 Wide - outside

Inside  
 Middle  
 Outside



### Front Shocks

Oil: \_\_\_\_\_

Piston:  \_\_\_\_\_  \_\_\_\_\_  Standard /  Drilled

Spring: \_\_\_\_\_ Internal:  Yes /  No

Limiters:  Inside- \_\_\_\_\_  Outside- \_\_\_\_\_

## REAR SUSPENSION

Toe-In  Inside \_\_\_\_\_ °  
 Outside \_\_\_\_\_ °

Pivot Support  No Shim  
 Shim Under Front — # of shims: \_\_\_\_\_

Ride Height \_\_\_\_\_

Camber  - \_\_\_\_\_ °  
 + \_\_\_\_\_ °

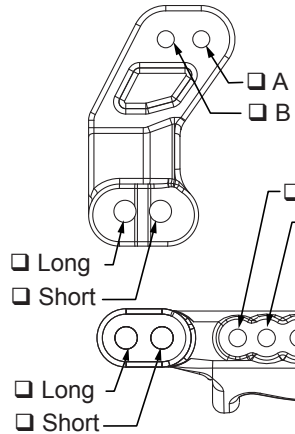
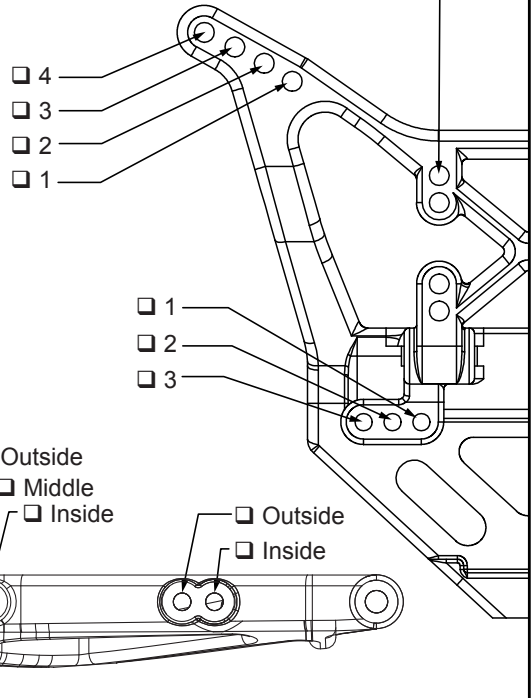
Rear Hub Spacing  Forward  
 Center  
 Rear

Sway Bar  No  
 Yes size: \_\_\_\_\_

Wing Position  Forward  
 Back

Wing Mount  Top  
 Bottom

Drive Shafts  Dogbones  Aluminum  
 CVDs  Steel



### Rear Shocks

Oil: \_\_\_\_\_

Piston:  \_\_\_\_\_  \_\_\_\_\_  Standard /  Drilled

Spring: \_\_\_\_\_ Internal:  Yes /  No

Limiters:  Inside- \_\_\_\_\_  Outside- \_\_\_\_\_

## Tires

Front: \_\_\_\_\_ Compound \_\_\_\_\_ Foam \_\_\_\_\_

Rear: \_\_\_\_\_ Compound \_\_\_\_\_ Foam \_\_\_\_\_

Motor: \_\_\_\_\_ Pinion/Spur:  / \_\_\_\_\_

Battery Position: \_\_\_\_\_

## Weather Conditions/Notes:

\_\_\_\_\_