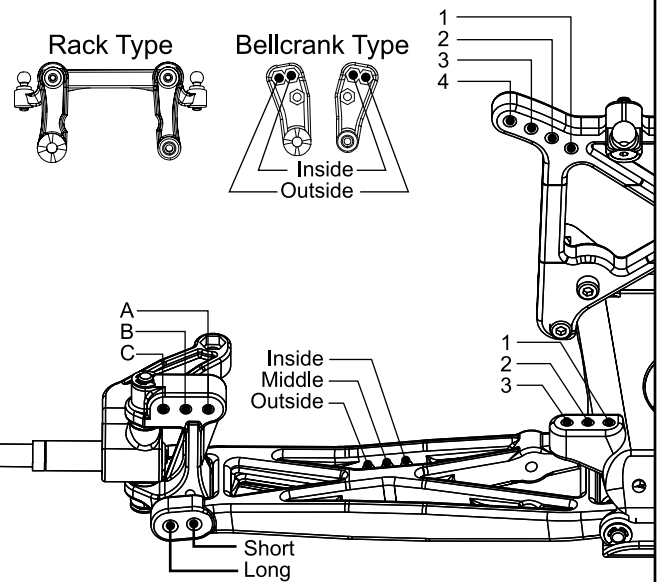


Name: <u>Matt Chambers</u>		Date: <u>4/21/09</u>	Event: _____
City: _____	State: _____	Track: <u>Base Setup</u>	
Track <input type="checkbox"/> Indoor <input type="checkbox"/> Tight <input type="checkbox"/> Smooth <input type="checkbox"/> Hard Packed <input type="checkbox"/> Blue Groove <input type="checkbox"/> Wet <input type="checkbox"/> Low Bite <input type="checkbox"/> High Bite Conditions <input type="checkbox"/> Outdoor <input type="checkbox"/> Open <input type="checkbox"/> Rough <input type="checkbox"/> Loose/Loamy <input type="checkbox"/> Dry <input type="checkbox"/> Dusty <input type="checkbox"/> Med Bite <input type="checkbox"/> Other _____			

Front Suspension

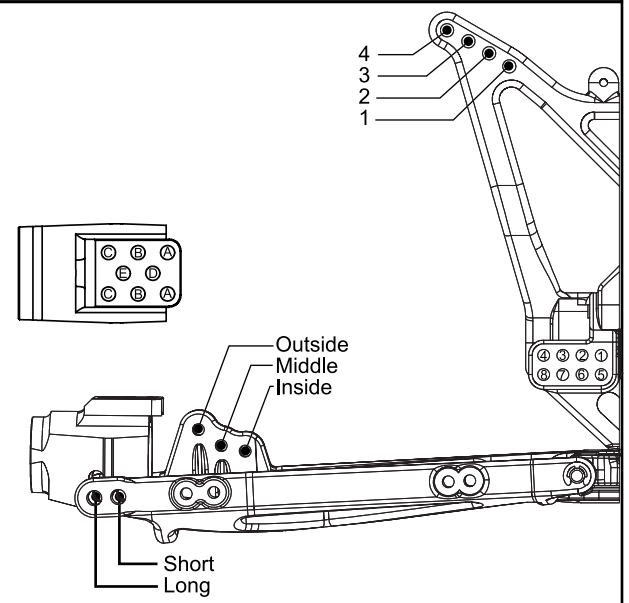
Toe: 1/2 degree of toe-in
 Ride Height: 30mm
 Camber: -1 degree
 Caster: Stock
 Sway Bar: No
 Oil: 30wt Losi
 Piston: 57(Black)
 Spring: Silver
 Limiters: .210"
 Spindle Height: Bottom
 Axle Spacer: Outside
 Axle Spacer Size: _____
 Steering Type: Bellcrank with inside hole with (2) .030" gold washers
 Bump Steer: (3) .030" gold washers under spindle ball stud
 Camber Link: 2/B with (2) .030" gold washers
 Shock Location: #1 on tower and inside on arm
 VLA: Short



Notes: _____

Rear Suspension

Toe: Stock (3 Degrees)
 Pivot Support: 2 Degree
 Ride Height: 29mm
 Camber: -1 degree
 Rear Hub Spacing: Back (in the upper hole of hub)
 Drive Shafts/Outdrives: Steel Dogbones with Steel Outdrives
 Sway Bar: No
 Oil: 30wt Losi
 Piston: 55(Orange)
 Spring: White
 Limiters: No Limiters
 Camber Link: 2B with (6) .030" gold washers
 Shock Location: #3 on tower and middle on arm
 VLA: Short
 Wing Width & Height: XXX-T CR
 Body Type: XXX-T CR
 Battery Position: Middle



Notes: _____

Weight Placement (Mark with "X") 	Tires: _____	Compound _____	Insert _____	Additive _____	Motor: <u>6.5 Xcelorin</u>
	Front: <u>Taper Pin</u>	<u>Pink</u>	<u>Stock</u>	_____	Spur: <u>82</u>
	Rear: <u>Taper Pin</u>	<u>Pink</u>	<u>Trinity Bomb 1</u>	_____	Pinon: <u>18</u>
Notes: <u>Xcelorin ESC</u>					

Weight of each piece 1/2 oz.