

SETUP SHEET

Track: Leisure Hours - Chi-Town

Driver: Frank Root

- | | | |
|---|--|---|
| <input checked="" type="checkbox"/> Indoor | <input checked="" type="checkbox"/> Smooth | <input type="checkbox"/> Slippery |
| <input type="checkbox"/> Outdoor | <input type="checkbox"/> Rough | <input checked="" type="checkbox"/> High-Bite |
| <input checked="" type="checkbox"/> Tight / | <input type="checkbox"/> Open | <input type="checkbox"/> Blue-Groove |

XXX-SCT

Date: 02/05/2012

FRONT SUSPENSION (Circle or Check the Appropriate Settings)

Toe In +1°
 Out

Ride Height 29mm (body off)

Camber - 1°
 +

Caster Stock
 Other

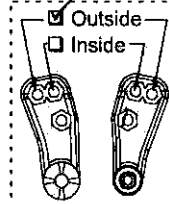
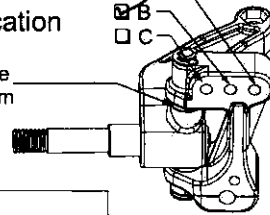
Sway Bar No
 Yes size:

of washers under steering / tie-rod ball studs
Spindle ball stud: 0
Bellcrank ball stud: 0

Spindle Location

- Top
 Middle
 Bottom

- A
 B
 C

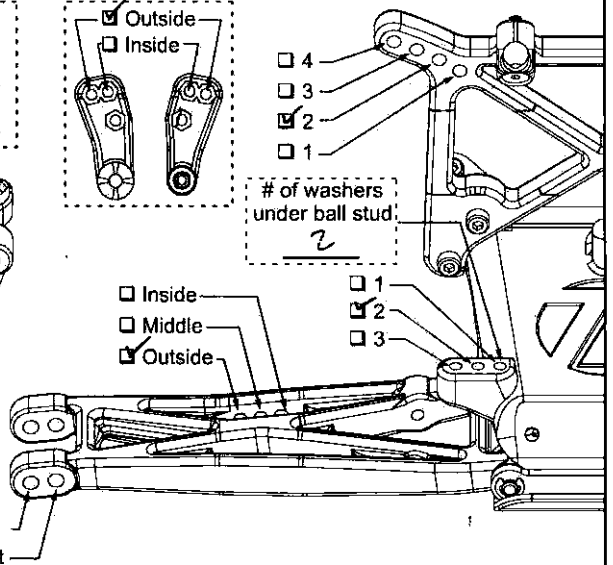


- 4
 3
 2
 1

of washers under ball stud: 2

- Inside
 Middle
 Outside

- 1
 2
 3



- Long
 Short

Front Shocks

Oil: 30wt. Losi

Piston: 57 (black) Standard / Drilled

Spring: Buggy Green Internal: Yes / No

Limiters: Inside- .060" Outside-

REAR SUSPENSION

Toe-In Inside 3°
 Outside

Pivot Support 2° No Shim
 Shim Under Front
 Shim Under Rear > # of shims: _____

Ride Height 29mm (body off)

Camber - 1.5°
 +

Drive Shafts Dogbones Aluminum
 CVDs Steel

Rear Hub Spacing Forward
 Center
 Rear

Outdrives Steel
 Plastic

Sway Bar No
 Yes size _____

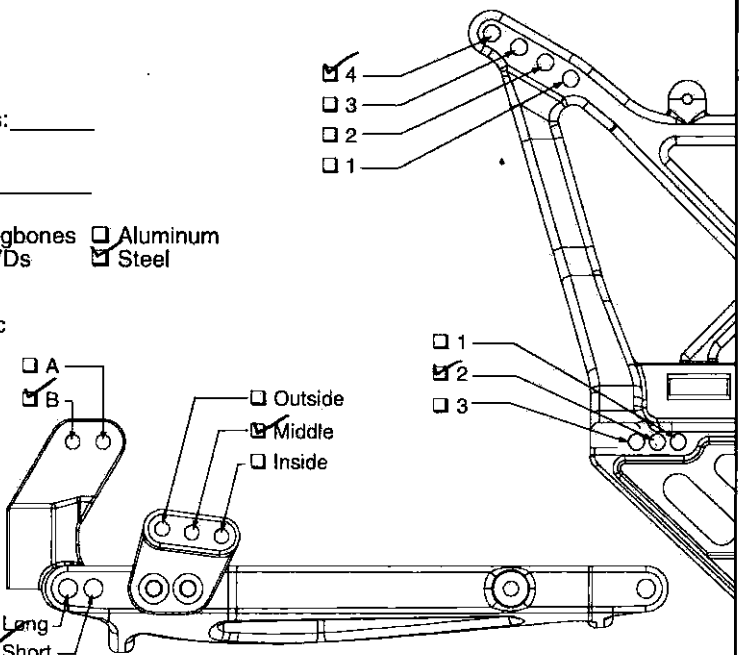
Rear Shocks

Oil: 30wt. Losi

Piston: 56 (red) Standard / Drilled

Spring: Yellow

Limiters: Inside- 0 Outside- 0



- A
 B

- Outside
 Middle
 Inside

- 1
 2
 3

- Long
 Short

Tires

Front: Concepts Bar Codes Compound Gold Foam Stock

Rear: Concepts Bar Codes Compound Gold Foam Stock

Motor: Orion 6.5T Pinion/Spur: 16/86

Battery Position: 2 pads front

Weather Conditions/Notes: Ran great, TQ and 1st. Alum. front Pivot, 1.5oz of weight behind the battery, diff set tight.