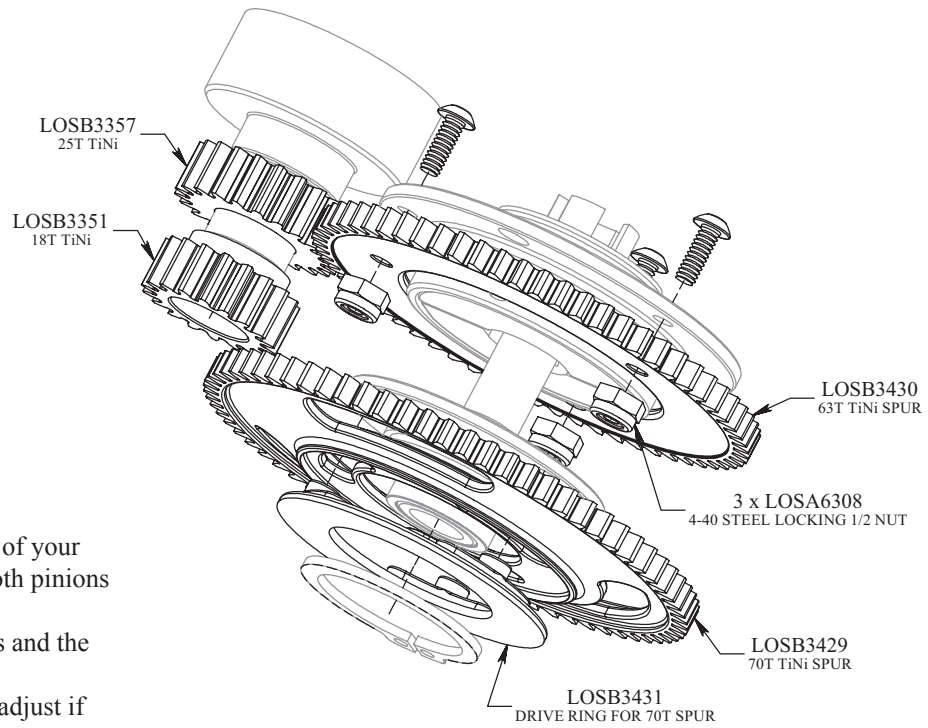


STEP B-01

Spur and Pinion Gear Installation

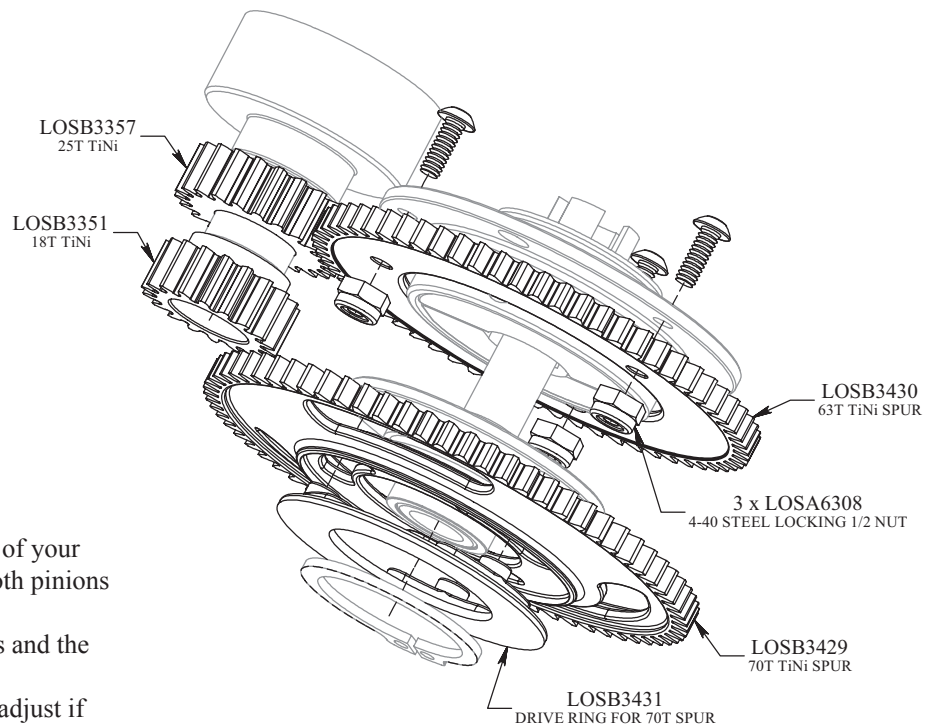


- Follow the directions on pages 6&7 of your LST Operations Guide to replace both pinions and spurs.
- Note the proper position of the gears and the mounting screws.
- Be sure to check the gear mesh and adjust if necessary before running.

800-0251

STEP B-01

Spur and Pinion Gear Installation



- Follow the directions on pages 6&7 of your LST Operations Guide to replace both pinions and spurs.
- Note the proper position of the gears and the mounting screws.
- Be sure to check the gear mesh and adjust if necessary before running.

800-0251