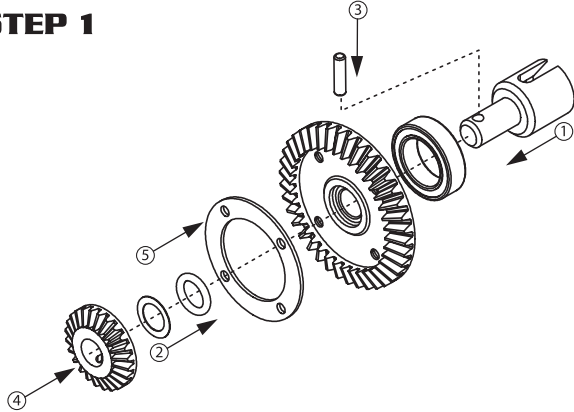


# Mini LST Viscous Differential

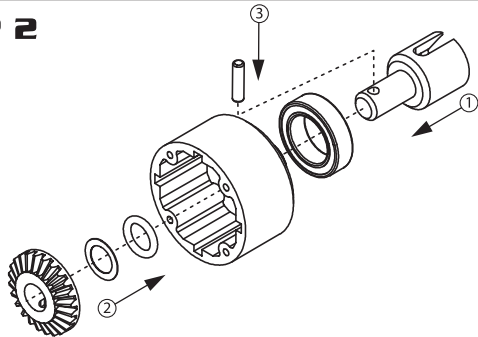
## Warning:

Team Losi does not recommend using the following items:  
3-cell Li-Po Battery - Brushless motor greater than 5400Kv  
Running your Mini LST in Tall Grass, Deep Sand and/or Wet areas may cause damage to your vehicle.

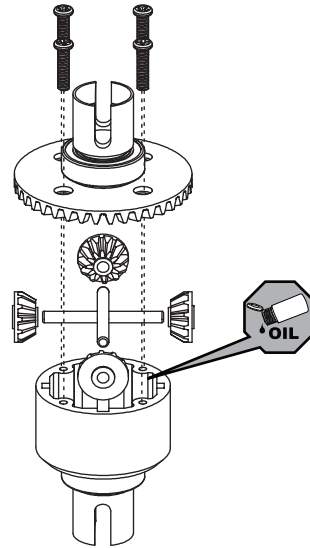
### STEP 1



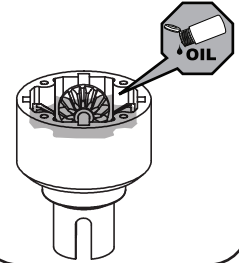
### STEP 2



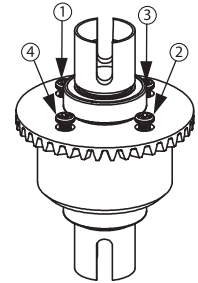
### STEP 3



Fill with 2000wt Oil just above the planetary gear.



Tighten the diff screws in this order



### STEP 4

