

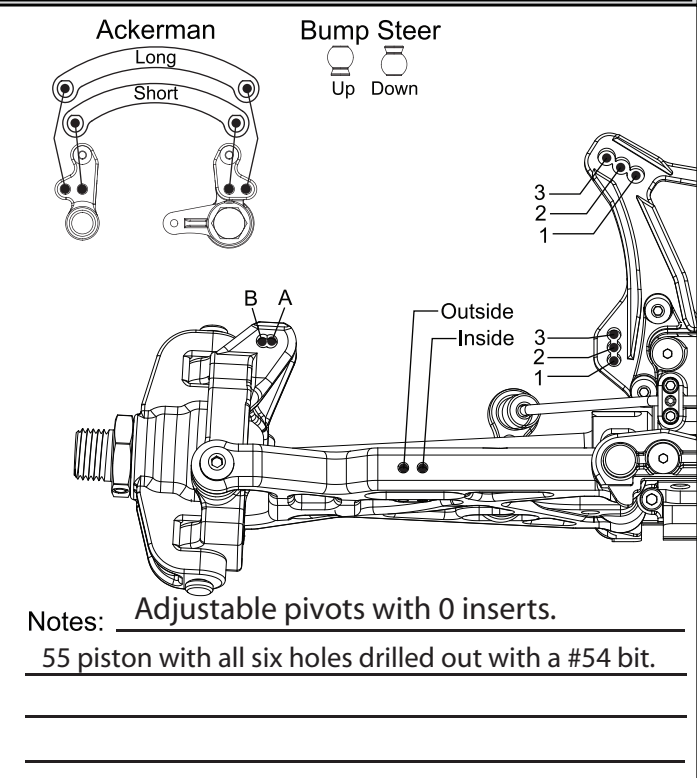
Name: <u>Adam Drake</u>		Date: <u>2008</u>	Event: <u>Std. Set-up</u>
City: _____ State: _____		Track: _____	
Track <input type="checkbox"/> Indoor <input type="checkbox"/> Tight <input type="checkbox"/> Smooth <input checked="" type="checkbox"/> Hard Packed <input type="checkbox"/> Blue Groove <input type="checkbox"/> Wet <input type="checkbox"/> Low Bite <input type="checkbox"/> High Bite Conditions <input checked="" type="checkbox"/> Outdoor <input checked="" type="checkbox"/> Open <input checked="" type="checkbox"/> Rough <input type="checkbox"/> Loose/Loamy <input checked="" type="checkbox"/> Dry <input type="checkbox"/> Dusty <input checked="" type="checkbox"/> Med Bite <input type="checkbox"/> Other _____			

### Front Suspension

Toe: 2 Degree Toe Out  
 Ride Height: 27mm  
 Camber: -1 Degrees  
 Caster: Stock  
 Sway Bar: 2.3mm  
 Piston/Oil: 54/40wt Losi  
 Spring: Silver  
 Limiter/Droop: \_\_\_\_\_  
 Overall Shock Length: 95mm  
 Steering Ackerman: Long  
 Bump Steer: Down  
 Camber Link: 2/A  
 Shock Location: 2/Inside  
 Receiver Battery Type: Losi LiPo

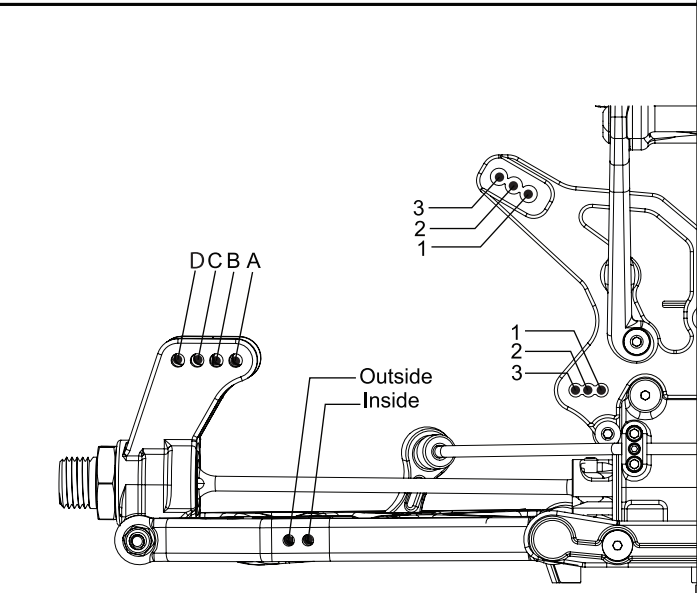
### Differentials

Front:  Standard  Smart  
 Spring Wire Dia: n/a  
 Qty of Springs: n/a  
 Ramp Plate: n/a  
 Grease: n/a  
 Diff Fluid: 5000wt  
 Center:  Standard  Smart  
 Spring Wire Dia: n/a  
 Qty of Springs: n/a  
 Ramp Plate: n/a  
 Grease: n/a  
 Diff Fluid: 7000wt



### Rear Suspension

Toe: 3 Degrees  
 Anti-Squat: 3 Degrees  
 Ride Height: 29mm  
 Camber: -2 Degree  
 Rear Hub Spacing: Hubs in back position.  
 Sway Bar: 2.3mm  
 Piston/Oil: 56/25wt Losi  
 Spring: Green  
 Limiter/Droop: \_\_\_\_\_  
 Overall Shock Length: 106mm  
 Camber Link: 2/B  
 Shock Location: 2/Inside  
 Rear Diff Fluid: 2000wt



### Engine

Engine: GRP .21 Mario Rossi Tuned Fuel: Nitrotane 30%  
 Glow Plug: GRP C5 Head Clearance: \_\_\_\_\_  
 Pipe/Header: GRP 2053 Gearing: 13/48

### Clutch

Clutch Shoes and Springs Info  
2 Aluminum with Gold Springs  
2 Plastic with Green Springs  
Steel Flywheel

### Tires

Type	Compound	Insert
Front: <u>Losi XBT</u>	<u>Red</u>	<u>Losi Yellow</u>
Rear: <u>Losi Eclipse</u>	<u>Red</u>	<u>Losi Yellow</u>
Notes: _____		

