

## Setup Sheet

Name: Brent Redlin Date: 4/20/13 Event: Club Race #1

City: Perris State: CA Track: Team Chase Compound

Track Conditions:  Indoor  Tight  Smooth  Hard Packed  Blue Groove  Wet  Grass  Low Bite  High Bite  
 Outdoor  Open  Rough  Loose/Loamy  Dry  Dusty  Astro Turf  Med Bite  Other \_\_\_\_\_

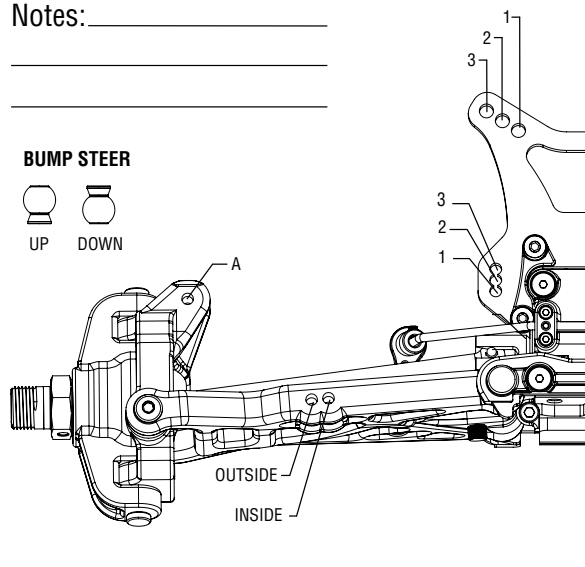
### Front Suspension

Toe: Out - 1 Deg Spring: Stock (Blue - 11.6lb)  
 Ride Height: Arms Level Overall Shock Length: 155mm  
 Camber: -2 Deg Bump Steer: Down  
 Caster: Stock Camber Link: #1  
 Sway Bar: Black (3.0mm) Shock Location: #3 - Inside  
 Piston/Oil: Stock (1.9mm) / 30wt.

### Differentials

<b>Front</b>	<b>Center</b>	<b>Rear</b>
Diff Fluid:	Diff Fluid:	Diff Fluid:
<u>7000 CS (Losi)</u>	<u>5000 CS (Losi)</u>	<u>2000 CS (Losi)</u>

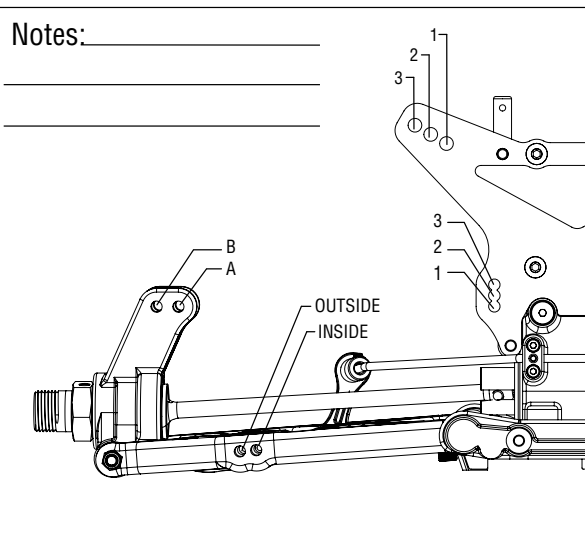
Notes: \_\_\_\_\_



### Rear Suspension

Toe: 3 Deg (stock) Piston/Oil: Stock (1.9mm) / 30wt.  
 Anti-Squat: 2 Deg (stock) Spring: Stock (Blue - 8.0lb)  
 Ride Height: Arms Level Overall Shock Length: 171mm  
 Camber: -1 Deg Camber Link: #2  
 Sway Bar: Gold (4.0mm) Shock Location: #2 - Inside

Notes: \_\_\_\_\_



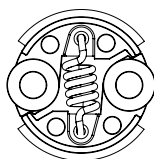
### Engine

Engine: Zenoah 29cc - Bartalone Engine temperature: NA  
 Spark Plug: CMR7H High Needle: NA  
 Muffler/Pipe: Bartalone Low Needle: NA  
 Fuel Mixture: 25:1 Gearing: 18/58

### Clutch

#### Clutch Shoes and Springs Info

Stock CY clutch with red spring (8000 rpm)  
 \_\_\_\_\_  
 \_\_\_\_\_



### Tires

	Type	Compound	Insert
Front:	<u>Pro-Line</u>	<u>Blockade</u>	<u>Losi (stock)</u>
Rear:	<u>Pro-Line</u>	<u>Blockade</u>	<u>Losi (stock)</u>
Notes:	_____		