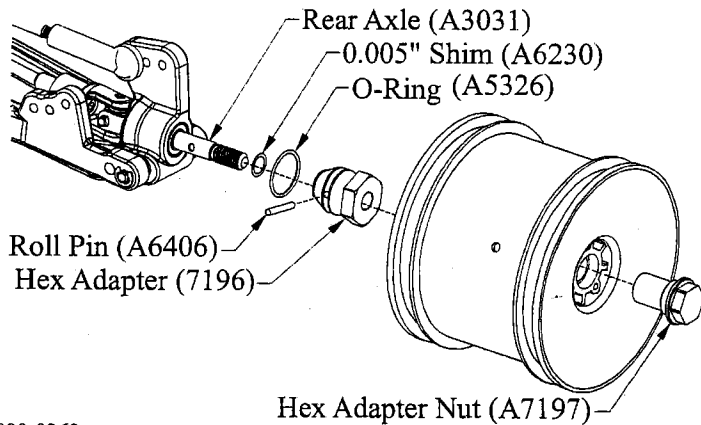


MF2 Wheel Hex Adapter

- ❑ 1. Remove the existing wheel, remove the axle pin and axle spacer.
- ❑ 2. Slide the wheel hex adaptor over the rear axle, and align the hole in the axle with the hole in the adapter.
- ❑ 3. Insert the supplied solid roll pin thru the adapter and rear axle.
- ❑ 4. Check the amount of play in the assembly by pulling the axle back and forth. If there is more than 0.005" of play. Remove the adapter and place a shim over the axle before re-installing the hex adapter.
- ❑ 4. Stretch the O-ring, over the hex adapter, and set it in the groove on the hex adapter, covering the ends of the roll pin.
- ❑ 5. Slide the wheel onto the axle, and rotate it to lock the hex on the wheel to the adaptor.
- ❑ 6. Thread the adaptor nut through the wheel and onto the axle, and tighten.
- ❑ 7. Thread lock can be used on the threads to ensure the nut will not come loose.



800-0269