

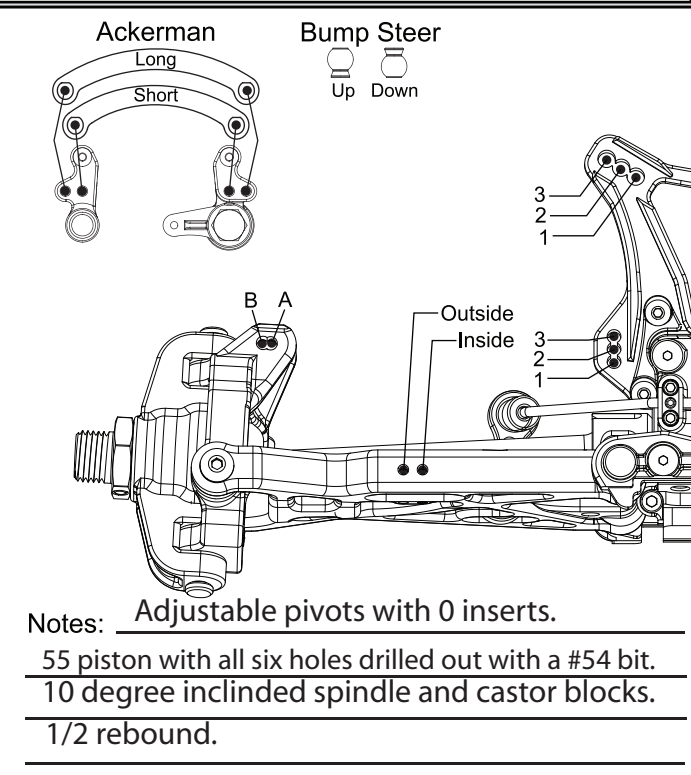
Name: <u>Adam Drake</u>		Date: <u>5-8-2010</u>	Event: <u>JBRL</u>
City: _____	State: <u>CA.</u>	Track: <u>Revelation Raceway</u>	
Track <input type="checkbox"/> Indoor <input checked="" type="checkbox"/> Tight <input checked="" type="checkbox"/> Smooth <input checked="" type="checkbox"/> Hard Packed <input type="checkbox"/> Blue Groove <input type="checkbox"/> Wet <input type="checkbox"/> Low Bite <input type="checkbox"/> High Bite Conditions <input checked="" type="checkbox"/> Outdoor <input type="checkbox"/> Open <input type="checkbox"/> Rough <input type="checkbox"/> Loose/Loamy <input type="checkbox"/> Dry <input type="checkbox"/> Dusty <input checked="" type="checkbox"/> Med Bite <input type="checkbox"/> Other _____			

### Front Suspension

Toe: 3 Degree Toe Out  
 Ride Height: 27mm  
 Camber: -1  
 Caster: 10 degrees  
 Sway Bar: 2.3mm  
 Piston/Oil: 54 (drilled)/40wt Losi  
 Spring: Silver  
 Limiter/Droop: \_\_\_\_\_  
 Overall Shock Length: 95mm  
 Steering Ackerman: Long  
 Bump Steer: Up  
 Camber Link: 2/A  
 Shock Location: 2/Inside  
 Receiver Battery Type: Losi

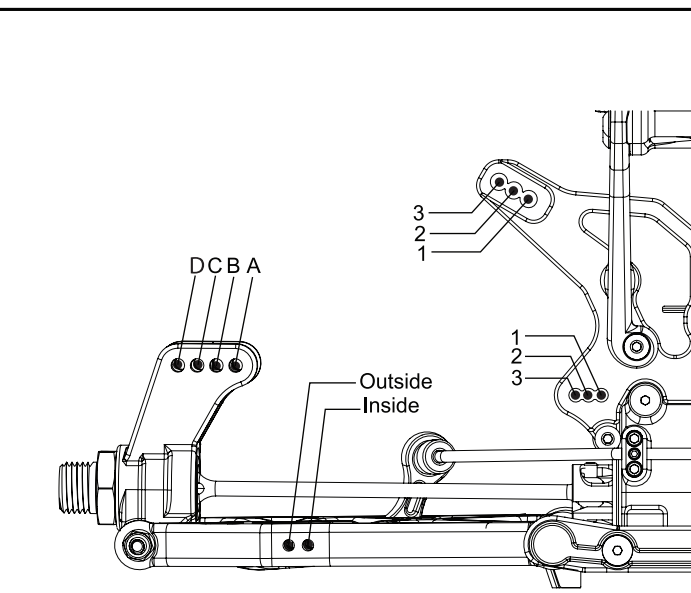
### Differentials

Front:  Standard  Smart  
 Spring Wire Dia: n/a  
 Qty of Springs: n/a  
 Ramp Plate: n/a  
 Grease: n/a  
 Diff Fluid: 5000wt  
 Center:  Standard  Smart  
 Spring Wire Dia: n/a  
 Qty of Springs: n/a  
 Ramp Plate: n/a  
 Grease: n/a  
 Diff Fluid: 7000wt



### Rear Suspension

Toe: 3 Degrees  
 Anti-Squat: 3 Degrees  
 Ride Height: 29mm  
 Camber: -2.5  
 Rear Hub Spacing: Hubs in back position.  
 Sway Bar: 2.3mm  
 Piston/Oil: 56/25wt Losi  
 Spring: Green  
 Limiter/Droop: \_\_\_\_\_  
 Overall Shock Length: 106mm  
 Camber Link: 2/B  
 Shock Location: 2/Inside  
 Rear Diff Fluid: 2000wt



### Engine

Engine: Nova Rossi Plus 4C Fuel: Nitrotane 30%  
 Glow Plug: Nova Rossi 6 (C6TGC) Head Clearance: .8mm  
 Pipe/Header: 9901 / 41021 Gearing: 13/48

### Clutch

Clutch Shoes and Springs Info  
2 Aluminum with Green Springs  
2 Plastic with Black Springs  
Steel Flywheel

### Tires

Type	Compound	Insert
Front: <u>Losi Kingpin G2</u>	<u>Green</u>	<u>Losi (Yellow)</u>
Rear: <u>Losi Kingpin G2</u>	<u>Green</u>	<u>Losi (Yellow)</u>
Notes: <u>Losi Green Digits for the final.</u>		