

MINI WRC

1/5-SCALE 4WD READY-TO-RUN RALLY CAR

Setup Sheet-Stock



Name: _____ Date: _____ Event: _____

City: _____ State: _____ Track: _____

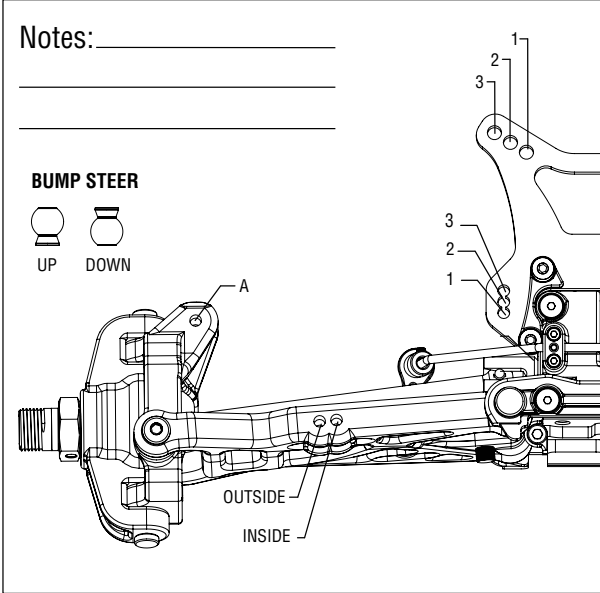
Track Conditions: Indoor Tight Smooth Hard Packed Blue Groove Wet Grass Low Bite High Bite
 Outdoor Open Rough Loose/Loamy Dry Dusty Astro Turf Med Bite Other _____

Front Suspension

Toe: _____ *Out -1°* Spring: _____ *13.2 lb Blue*
 Ride Height: _____ *Arms Level* Overall Shock Length: _____ *155mm*
 Camber: _____ *-1°* Bump Steer: _____ *Down*
 Caster: _____ *Stock* Camber Link: _____ *#2*
 Sway Bar: _____ *3.5mm* Shock Location: _____ *2-Inside*
 Piston/Oil: _____ *2.3mm/30 wt.*

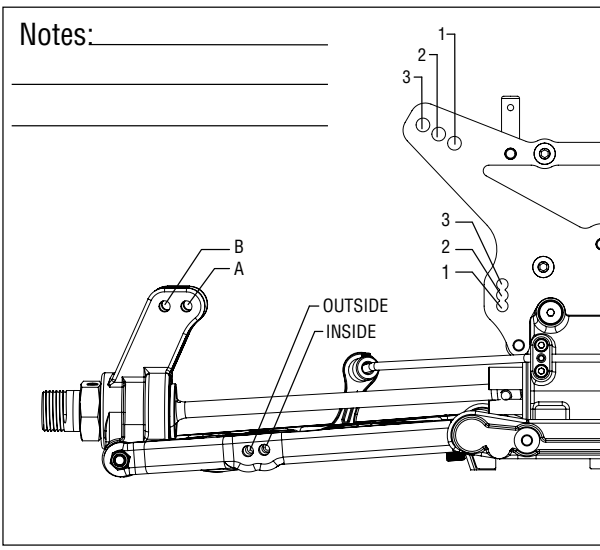
Differentials

Front	Center	Rear
Diff Fluid:	Diff Fluid:	Diff Fluid:
_____ <i>7,000 cs</i>	_____ <i>5,000 cs</i>	_____ <i>2,000 cs</i>



Rear Suspension

Toe: _____ *3°* Piston/Oil: _____ *2.3mm/30 wt*
 Anti-Squat: _____ *2°* Spring: _____ *9.2 lb Blue*
 Ride Height: _____ *Arms Level* Overall Shock Length: _____ *171mm*
 Camber: _____ *-1°* Camber Link: _____ *#1-B*
 Sway Bar: _____ *3.5mm* Shock Location _____ *#2-Inside*



Engine

Engine: _____ *29c with EFI* Engine temperature: _____
 Spark Plug: _____ *CMR7H* _____ *200-220°F (93°C-105°C)*
 Muffler/Pipe: _____ *Stock*
 Fuel Mixture: _____ *25:1* Gearing: _____ *19/58*

Clutch

Clutch Shoes and Springs Info

_____ *Red Spring (8,000 RPM)*

Tires

	Type	Compound	Insert
Front:	<i>Rally Trekk A/T</i>	<i>FIRM</i>	<i>SOFT</i>
Rear:	<i>Rally Trekk A/T</i>	<i>FIRM</i>	<i>SOFT</i>

Notes: _____
