

MINI WRC

1/5-SCALE 4WD READY-TO-RUN RALLY CAR



Setup Sheet

Name: _____ Date: _____ Event: _____

City: _____ State: _____ Track: _____

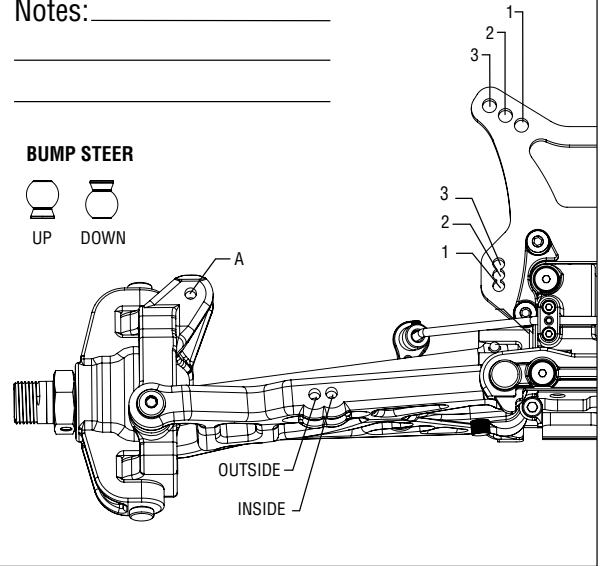
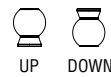
Track Conditions: Indoor Tight Smooth Hard Packed Blue Groove Wet Grass Low Bite High Bite
 Outdoor Open Rough Loose/Loamy Dry Dusty Astro Turf Med Bite Other _____

Front Suspension

Toe: _____ Spring: _____
 Ride Height: _____ Overall Shock Length: _____
 Camber: _____ Bump Steer: _____
 Caster: _____ Camber Link: _____
 Sway Bar: _____ Shock Location: _____
 Piston/Oil: _____

Notes: _____

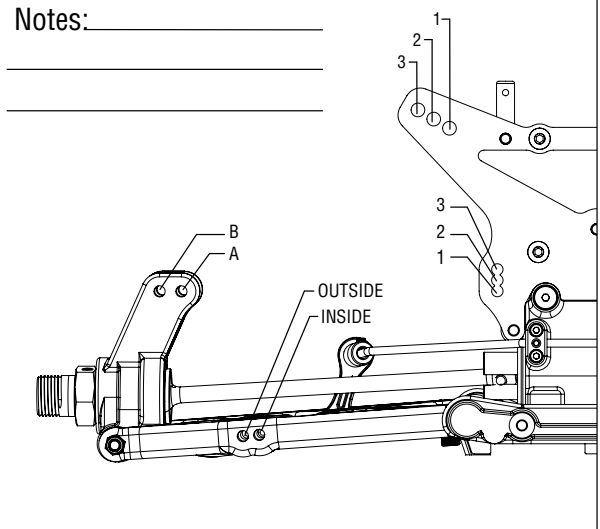
BUMP STEER



Differentials

Front	Center	Rear
Diff Fluid: _____	Diff Fluid: _____	Diff Fluid: _____

Notes: _____



Rear Suspension

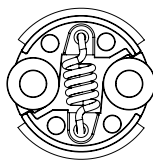
Toe: _____ Piston/Oil: _____
 Anti-Squat: _____ Spring: _____
 Ride Height: _____ Overall Shock Length: _____
 Camber: _____ Camber Link: _____
 Sway Bar: _____ Shock Location: _____

Engine

Engine: _____ Engine temperature: _____
 Spark Plug: _____
 Muffler/Pipe: _____
 Fuel Mixture: _____ Gearing: _____

Clutch

Clutch Shoes and Springs Info



Tires

	Type	Compound	Insert
Front:	_____	_____	_____
Rear:	_____	_____	_____
Notes:	_____		