

TEAM LOS1 SET UP SHEET EIGHT

Name: _____

Date: _____ Event: _____

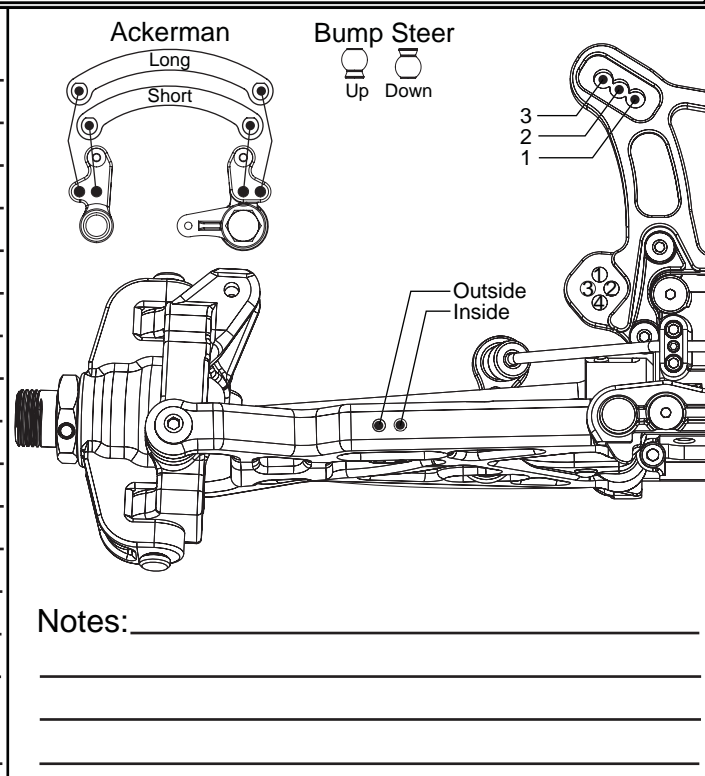
City: _____ State: _____

Track: _____

Track Conditions Indoor Tight Smooth Hard Packed Blue Groove Wet Low Bite High Bite
 Outdoor Open Rough Loose/Loamy Dry Dusty Med Bite Other _____

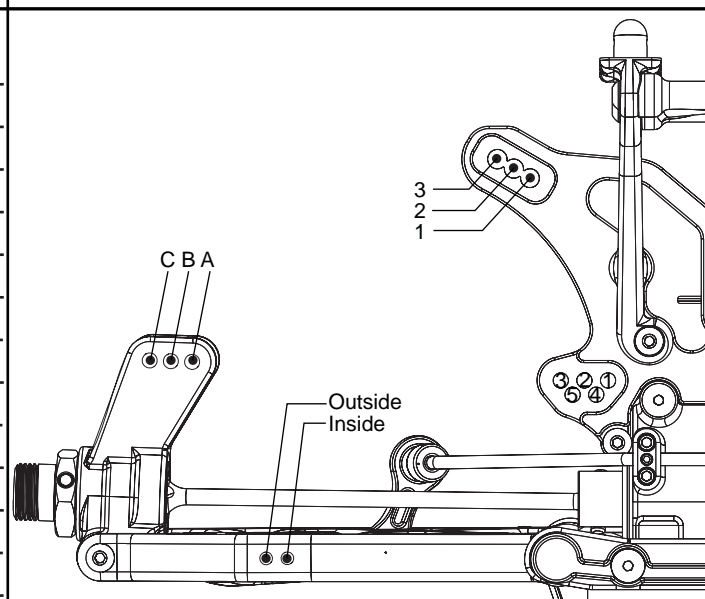
Front Suspension

Toe: _____
 Ride Height: _____
 Camber: _____
 Caster: _____
 Sway Bar: _____
 Piston/Oil: _____
 Spring: _____
 Limiter/Droop: _____
 Overall Shock Length: _____
 Steering Ackerman: _____
 Bump Steer: _____
 Camber Link: _____
 Shock Location: _____
 Front Diff Fluid: _____
 Receiver Battery Type: _____
 Center Diff Fluid: _____



Rear Suspension

Toe: _____
 Anti-Squat: _____
 Ride Height: _____
 Camber: _____
 Rear Hub Spacing: _____
 Sway Bar: _____
 Piston/Oil: _____
 Spring: _____
 Limiter/Droop: _____
 Overall Shock Length: _____
 Camber Link: _____
 Shock Location: _____
 Rear Diff Fluid: _____



Engine

Engine: _____ Fuel: _____
 Glow Plug: _____ Head Clearance: _____
 Pipe/Header: _____ Gearing: _____

Clutch

Clutch Shoes and Springs Info

Tires

Type	Compound	Insert
Front: _____	_____	_____
Rear: _____	_____	_____
Notes: _____	_____	_____